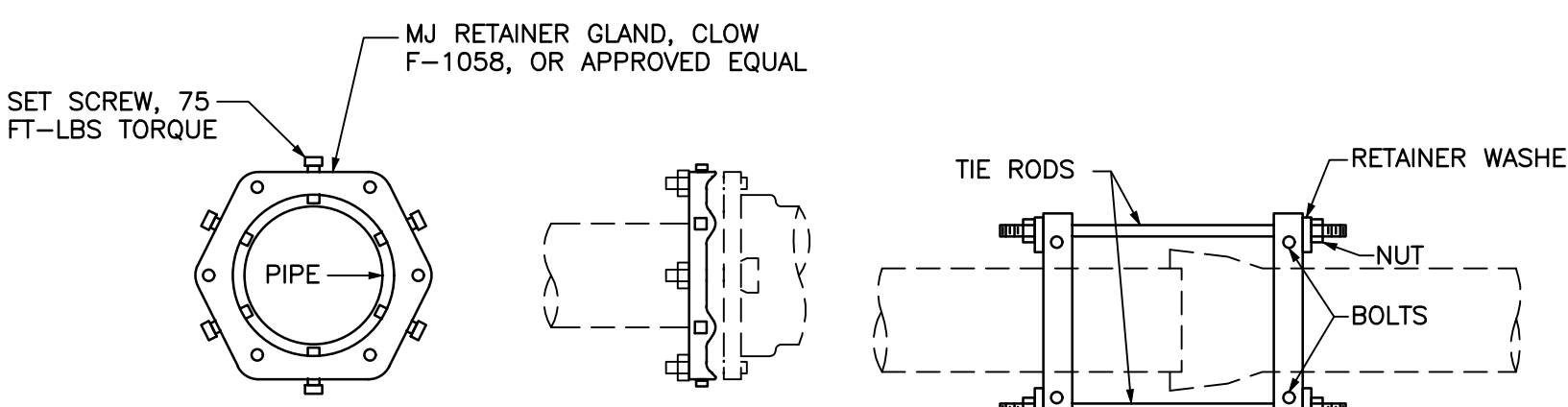


1 TYPICAL HYDRANT INSTALLATION
SCALE: NONE
CROSS REFERENCE: NONE

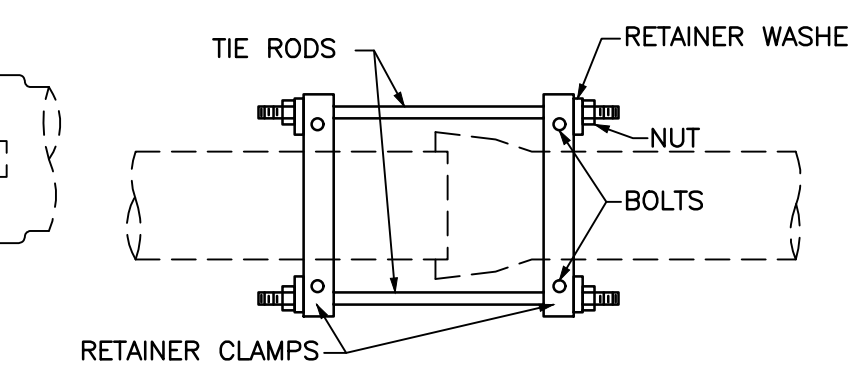


RETAINER GLAND
PREFERRED RESTRAINT METHOD

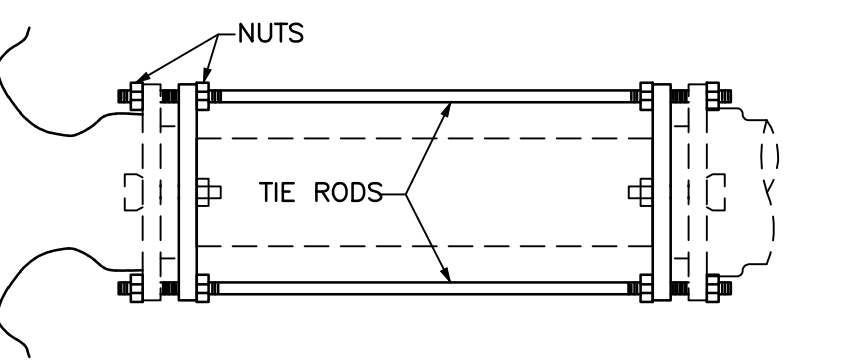
NO. OF TIE RODS REQ'D

PIPE SIZE INCHES	MIN NO. OF 3/4" RODS
2	2 ¹
3	2 ¹
4	2
6	2
8	2
10	2
12	2
16	4
20	6
24	8

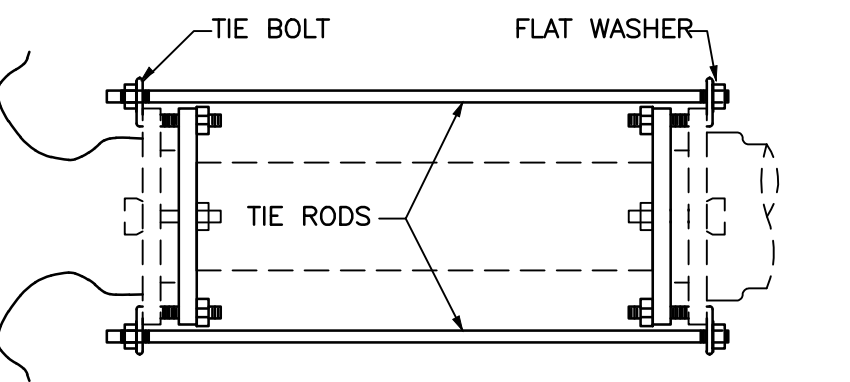
NOTES:
1. APPLIES TO 5/8" RODS AS WELL.



RETAINER CLAMPS

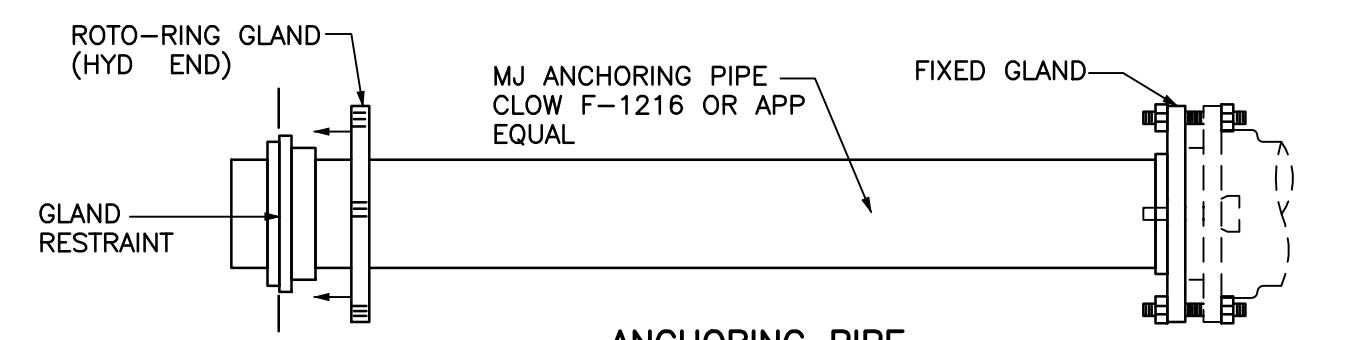


ALTERNATE STYLE



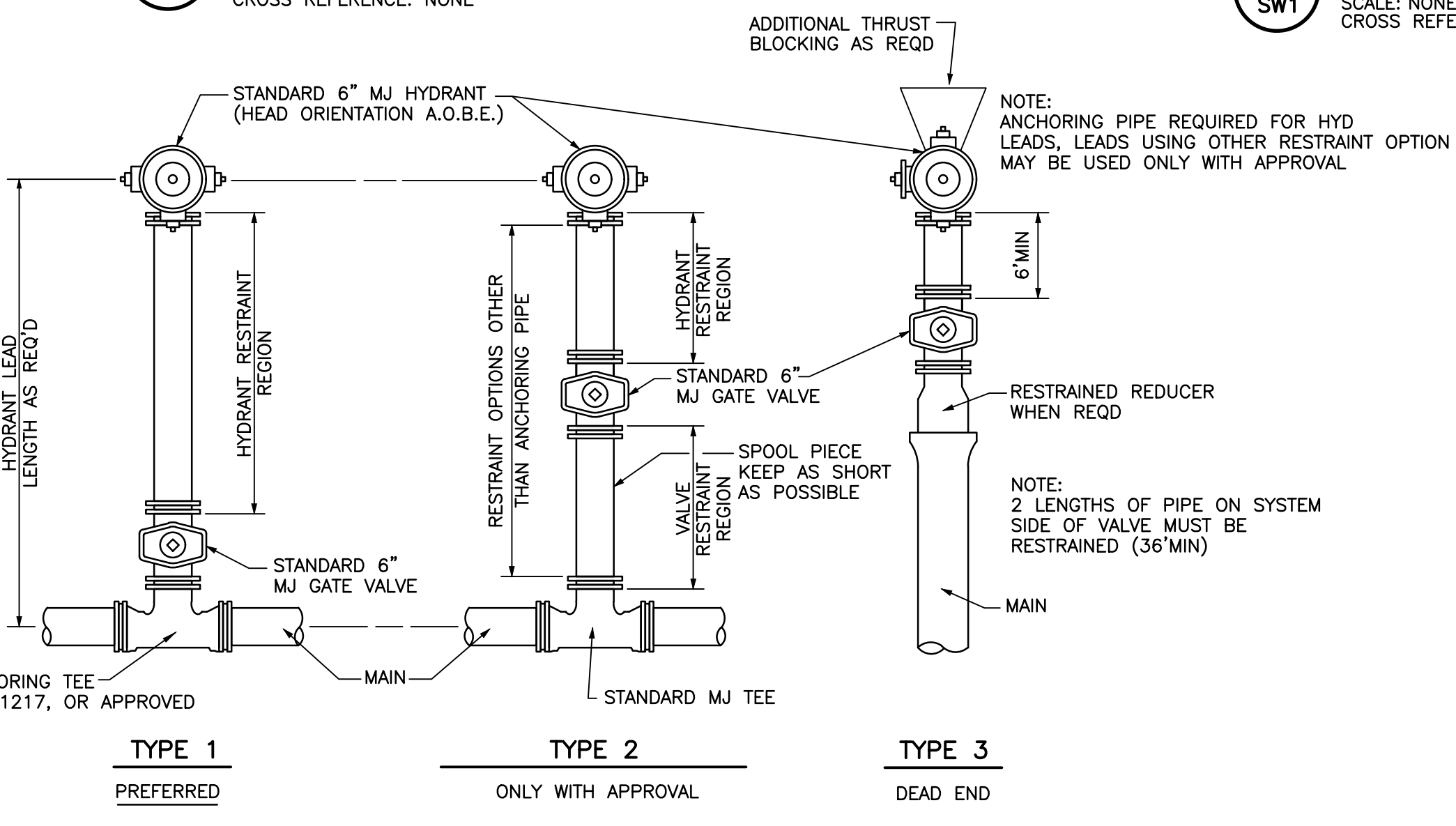
TIE RODS

AS MANUFACTURED BY STAR SUPPLY CORP OR APP EQUAL, HIGH-STRENGTH CORTEN



ANCHORING PIPE
PREFERRED FOR HYD INSTALLATION

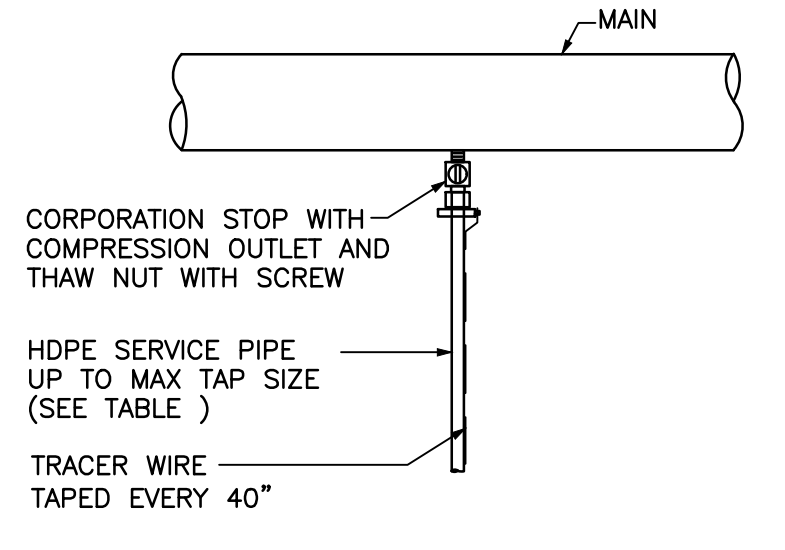
3 THRUST RESTRAINT OPTIONS
SCALE: NONE
CROSS REFERENCE: NONE



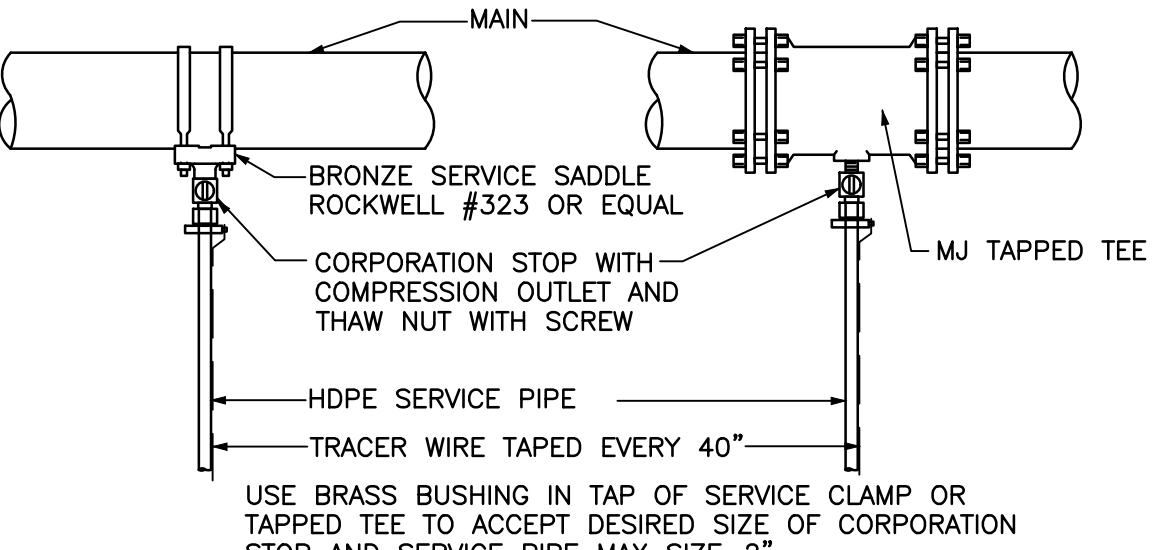
4 TYPES OF HYDRANT INSTALLATIONS
SCALE: NONE
CROSS REFERENCE: NONE

TABLE-MAXIMUM TAP SIZE

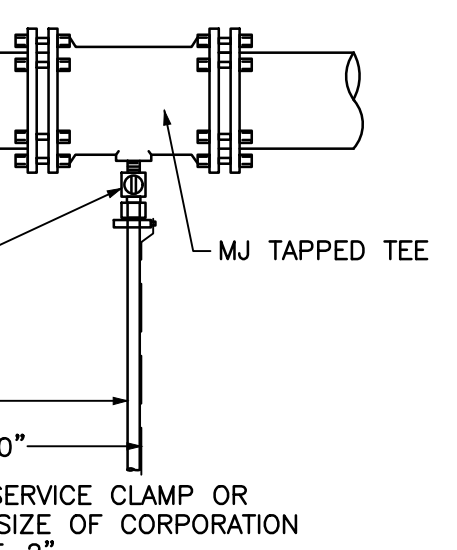
MAIN SIZE-INCHES	3	4	6	8	10	12 & LARGER
MAX TAP SIZE-INCHES	1/2	3/4	1	1 1/4	1 1/2	2



SINGLE TAP

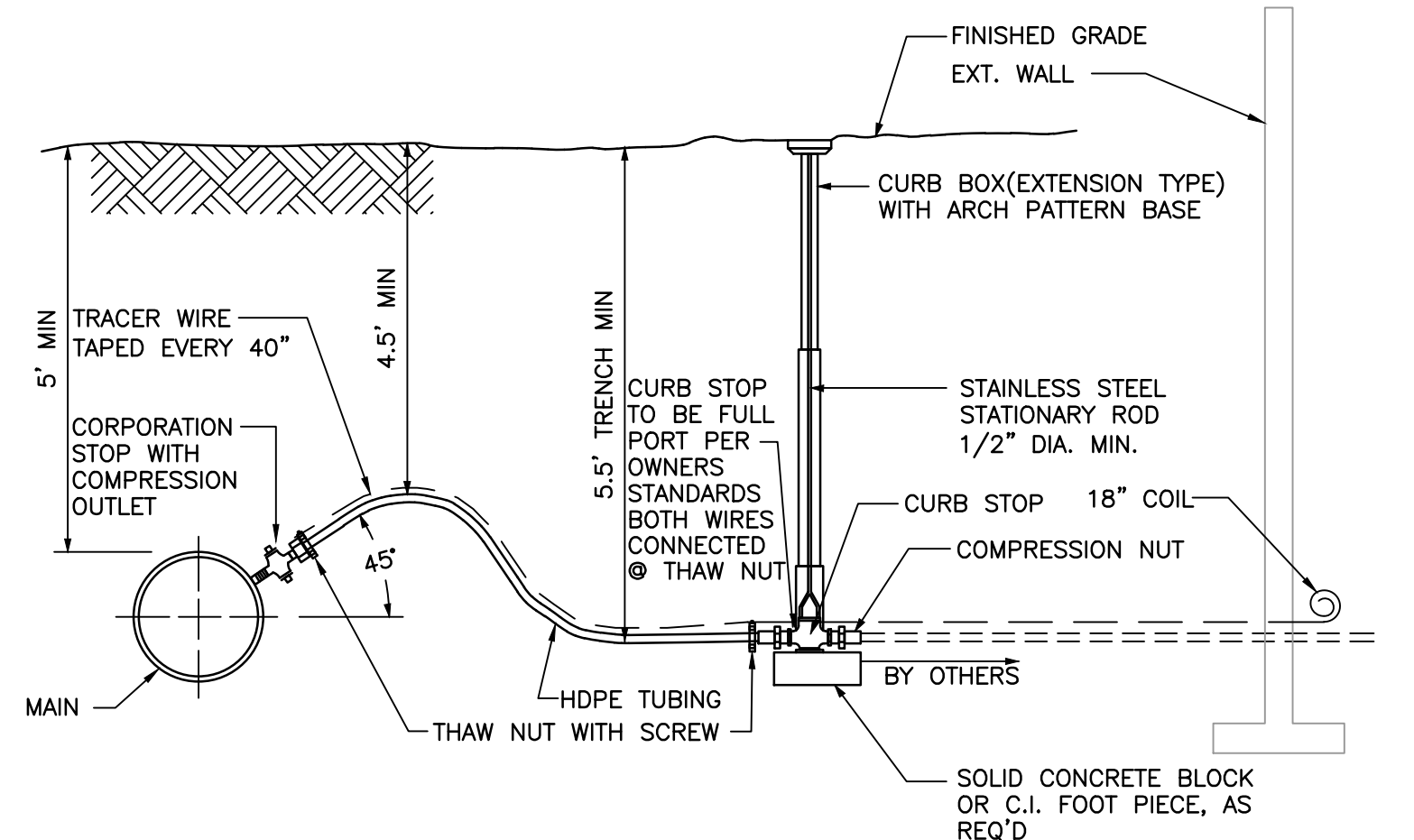


SERVICE CLAMP

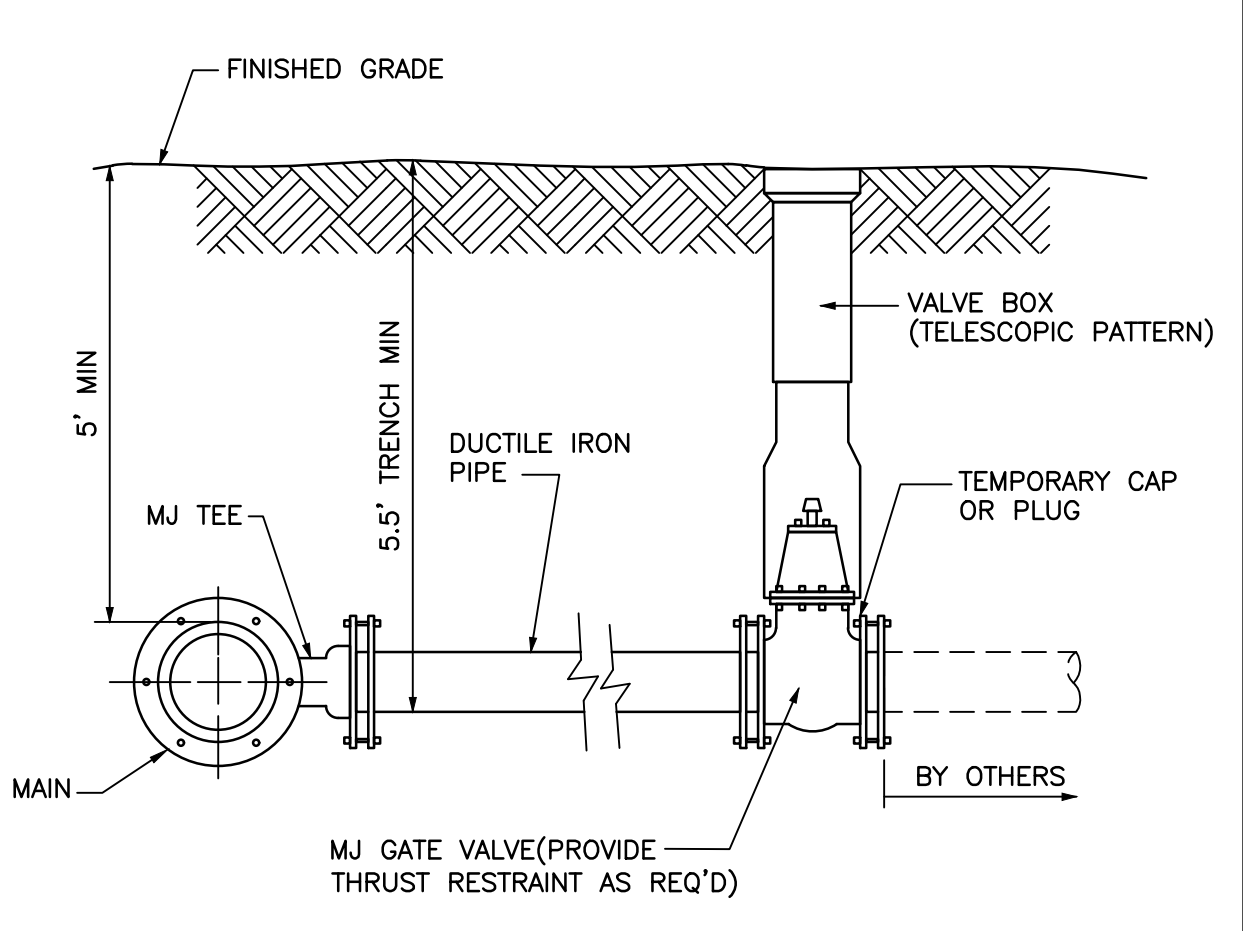


TAPPED TEE

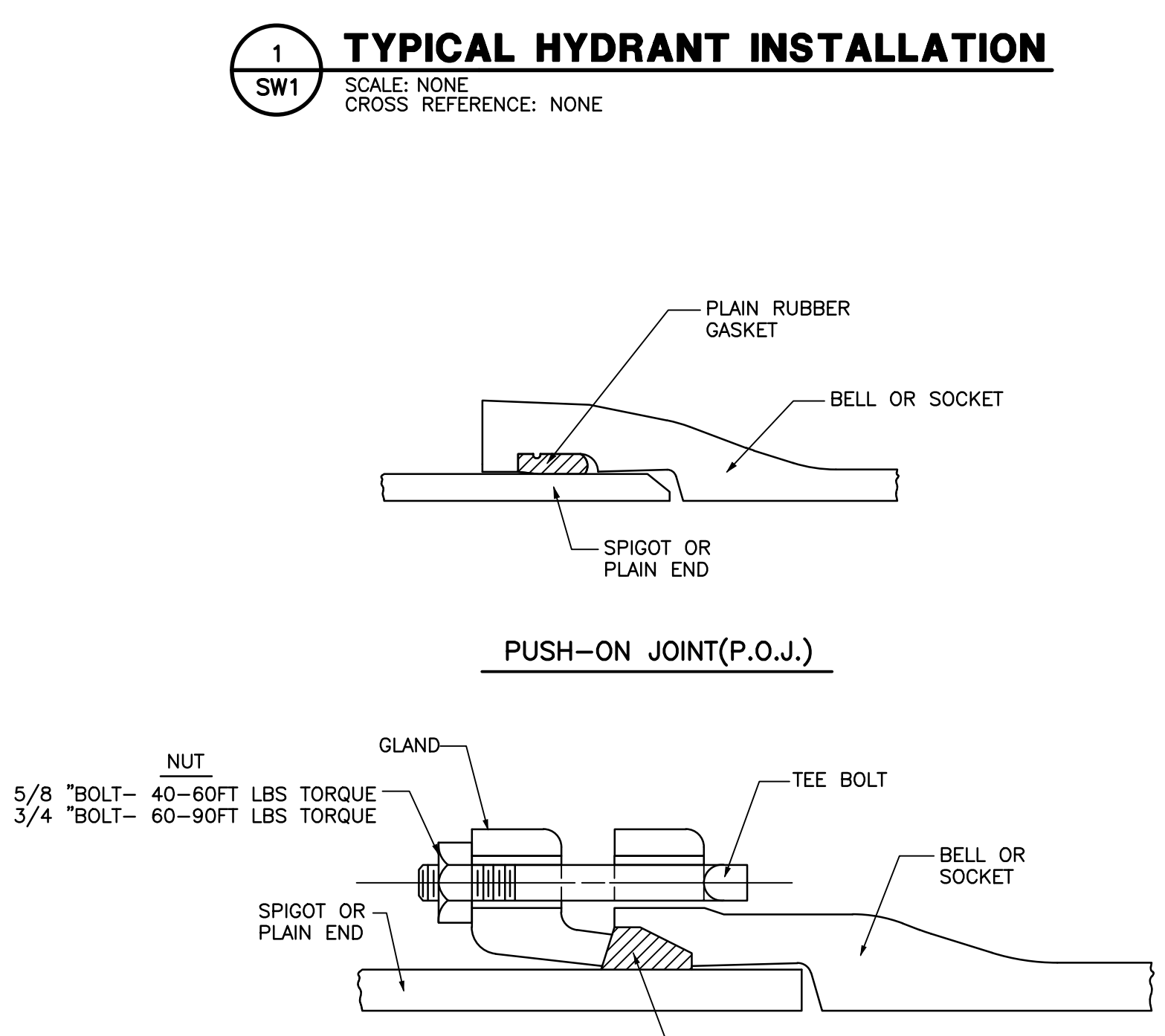
5 TYPICAL HDPE SERVICE PIPE CONNECTIONS
SCALE: NONE
CROSS REFERENCE: NONE



6 HDPE SERVICE PIPE
SCALE: NONE
CROSS REFERENCE: NONE

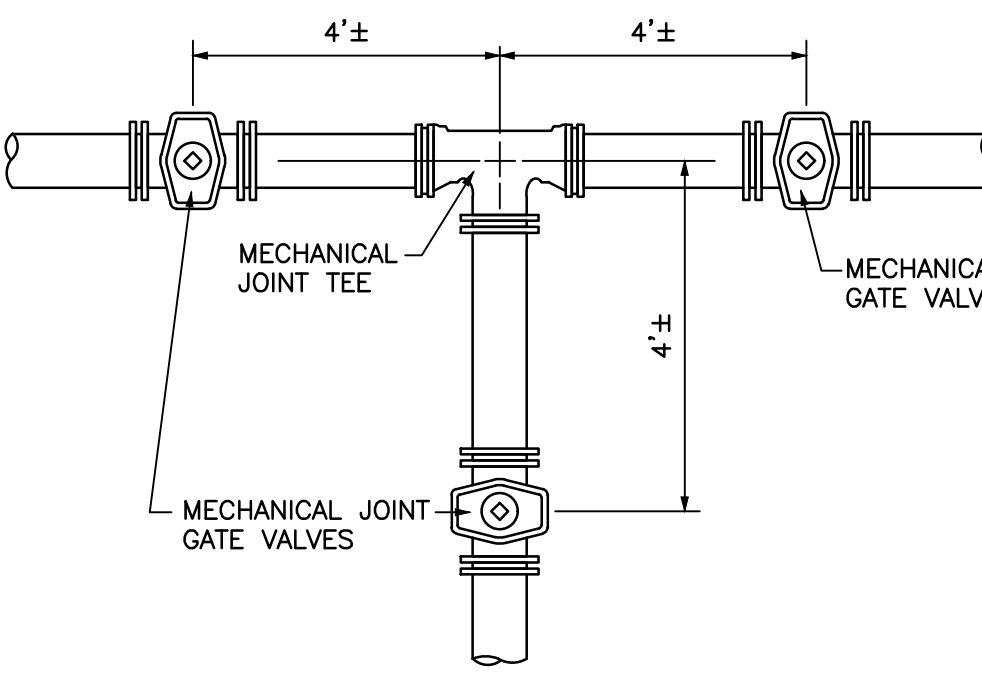


7 DUCTILE IRON SERVICE PIPE
SCALE: NONE
CROSS REFERENCE: NONE



2 TYPICAL JOINT DETAIL
SCALE: NONE
CROSS REFERENCE: NONE

8 TYPICAL JUNCTION LAYOUT
SCALE: NONE
CROSS REFERENCE: NONE



DATE	REVISIONS RECORD/DESCRIPTION	DRAFTER	CHECK	APPR.	UNAUTHORIZED ALTERATION OR ADDITION TO THIS DOCUMENT IS A VIOLATION OF THE NEW YORK STATE EDUCATION LAW.
12/06/19	REVISD DETAIL 6/SW1 & REMOVED 6A/SW1	SMW	KCS	CRK	

STANDARD DETAILS - DUCTILE IRON WATER DISTRIBUTION SYSTEMS

CONTRACT NO. 29
CRESCENT ROAD MAIN TO SAMBROOK

TOWN OF CLIFTON PARK SARATOGA COUNTY, NEW YORK

C.T. MALE ASSOCIATES
Engineering, Surveying, Architecture & Landscape Architecture, P.C.

50 CENTURY HILL DRIVE, LATHAM, NY 12110
518.786.7400 * FAX 518.786.7299

© 2013 C.T. MALE ASSOCIATES
DESIGNED: ELV
DRAFTED: JQE
CHECKED: ELV
PROJ. NO: 12.2558
SCALE: AS SHOWN
DATE: 02/15/2013

SW1
SHEET 11 OF 17
DWG. NO: 13-0179